

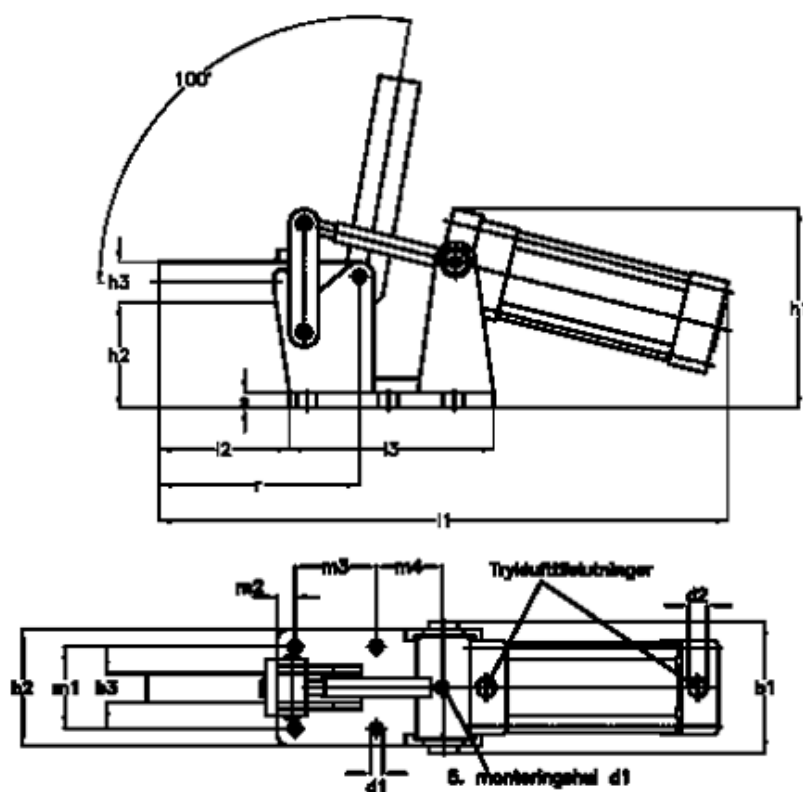
Data Sheet



Article number: 208612000EPM

Description: E+G Klee pneumatically operated clamp
GN 861-2000-EP-M

Measures



b1	= 112	h3	= 35	m3	= 70
b2	= 100	Holding force N	= 20000	m4	= 56
b3	= 20	Hose connector	= 10	r	= 172
Clamping force at 6 bar	= 3600	l1	= 487	s	= 13
d1	= 10.5	l2	= 113	Size	= 2000
d2	= G 3/8	l3	= 176		
h1	= 171,5	m1	= 70		
h2	= 90	m2	= 15.0		